

MT610XH

X86 CPU Core Touch Panel Computer with 10.4" SVGA TFT display



◆ Features

- 10.4" SVGA TFT LCD
- AMD Geode™ LX800/500MHz core processor speed
- Fan-less cooling system
- Disk on module and Windows CE or XPE OS inside
- NEMA4/IP65 compliant front panel
- On-board 256MB DDR-400MHz SDRAM
- 44-pin IDE interface
- High performance 2D accelerator graphic controller, supporting 8~64MB shared display memory

【 Introduction 】

The MT610XH is a miniature and compact platform that has excellent system performance and function. The x86 CPU Core provides the maximum compatibility with the vast amount of Internet content available while the intelligent integration of several other functions, including graphics, makes the AMD Geode™ LX processor a true system level multimedia solution.

◆ Specifications

- **Construction:** plastic molding housing
- **Display:** 10.4" 800x600 65536 color SVGA TFT LCD
- **CPU and core logic:** AMD Geode™ LX800/500MHz core processor
- **DRAM:** 256MB on board DDR-400MHz SDRAM
- **Storage:** 44-pin IDE interface. DOM
- **I/O:** 3 serial ports: Com1: RS-232/RS-485 2w/4w, Com2: RS-232, Com3: RS-232/RS-485 2w
1 Ethernet port (10/100Base-T)
2 USB 2.0 full-speed host ports (12Mbps)
1 Mini USB full-speed host port (12Mbps)
SD CARD SLOT
- **Sound output:** AC'97 Stereo output
- **RTC:** Built-in
- **Power input:** 24 V_{DC}, 1.25 A@24VDC
- **Dimension (W x H x D):** 286x212x50mm
- **Weight:** Approx. 1.6kg

◆ Touchscreen

- **Type:** 4-wire, analog resistive
- **Resolution:** continuous
- **Touch Accuracy:** ±3.5%
- **Light transmission:** above 80%
- **Life:** 1 million activation minimum

◆ LCD Display

Display type	TFT LCD
Display size (diagonal)	10.4"
Max colors	65536
Resolution	800 x 600
Viewing angle (°)	45/65/65/65 (T/B/R/L)
Luminance (cd/m ²)	400
Backlight	LED
Backlight life time (avg.)	30,000 hrs.
Contrast ratio	400:1

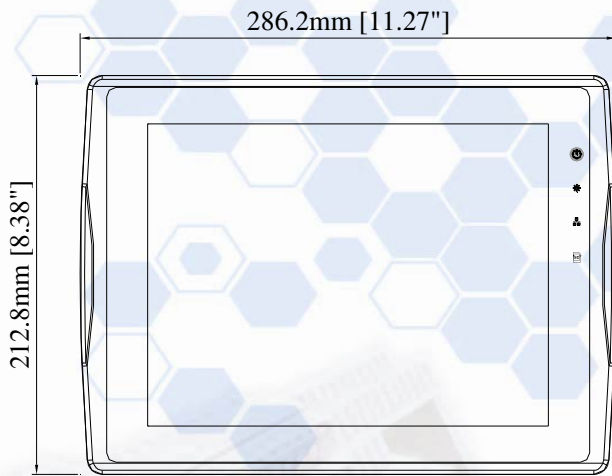
◆ Environmental Specifications

- **Operating temperature:** 0° ~ 50°C (32° ~ 122°F)
- **Storage temperature:** -20° ~ 60°C (-4° ~ 140°F)
- **Relative humidity:** 10% ~ 90% @ 40°C, non-condensing
- **Shock (operation):** 10 to 25Hz(X,Y,Z direction 2G 30minutes)
- **CE/FCC:** EN 55022: 1998+A1: 2000+A2: 2003, Class A, EN 61000-3-2: 2000+A2: 2005, Class D, EN 61000-3-3: 1995+A1: 2001, EN 55024: 1998+A1: 2001+A2: 2003
- **Front panel meets NEMA4 / IP65**

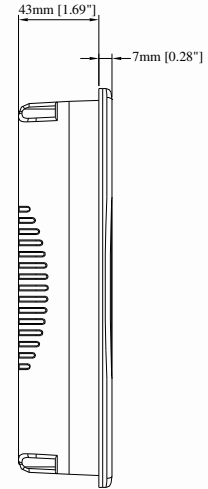
◆ Ordering information

- **MT610XH:**
10.4" SVGA TFT LCD display touch panel computer with AMD Geode™ LX800/500MHz core processor.
- **XPE-2G XPE license + 2G DOM**
2GB Disk On Module and Windows Embedded XP OS inside.
- **CE-256M CE license + 256M DOM**
256MB Disk On Module and Windows CE 5.0 OS inside.

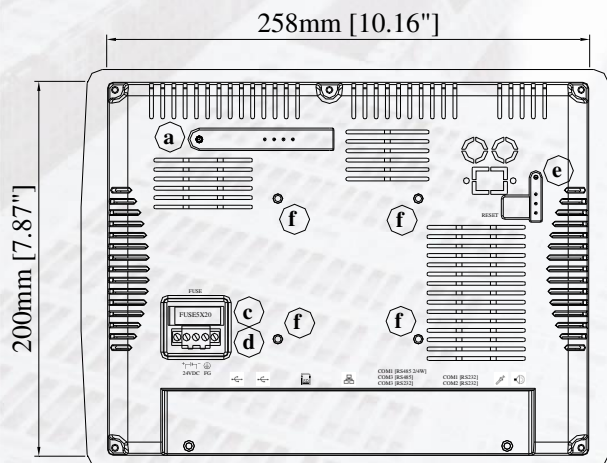
◆ Dimensions Drawing



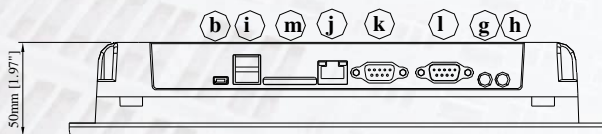
Front View



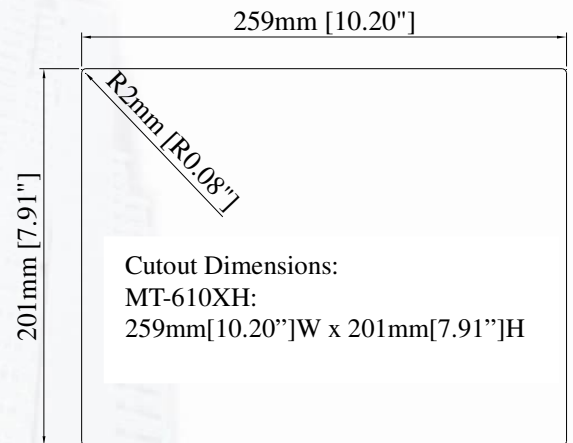
Side View



Rear View



Bottom View



a	IDE Interface (DOM Slot)	h	Line Out
b	Mini USB	i	USB Host Port x 2
c	Fuse	j	Ethernet Port 10/100 Base-T
d	Power Connector	k	Com1 RS485, Com3 RS485, Com3 RS232
e	Reset Button	l	Com1 RS232, Com2 RS232
f	VESA 75mm Screw Holes	m	SD CARD SLOT
g	Mic In		